

<b>Product Ident</b> LR3 60-3/25	<b>Line-Reactor Datasheet</b>	
-------------------------------------	-----------------------------------	---

### Identification

Type Designation	<b>LR3 60-3/25</b>	Type of reactor	<b>3~ Line Reactor</b>
Series	<b>LR3</b>	Core Rating	<b>834.09 var</b>
Core type	<b>3UI 75/41.5</b>	Drive HP	<b>20</b>


### Technical Data

No. of phase		<b>3</b>
Circuit type		<b>III0</b>
Rated Voltage	[ V ]	<b>600</b>
Rated current	[ A ]	<b>25.0</b>
Rated Frequency	[ Hz ]	<b>50 - 60</b>
Impedance	[ % ]	<b>3.2</b>
Inductance L	[ mH ]	<b>1.180</b>
L tolerance	[ % ]	<b>±10%</b>
Linearity		<b>150% In</b>
Test voltage	[ kV ]	<b>4.0</b>
Isolation System Class		<b>Class 155</b>



### Operating conditions

Ambient temperature	[ °C ]	<b>-10 ... +40°C</b>
Ambient temperature	[ F ]	<b>14 ... 104°F</b>
Type of cooling		<b>AN</b>
Operating conditions		<b>24/7</b>

### Standards

Type:	Signs
VDE 0570 / EN 61 558 Part 1 VDE 0570 / EN 61 558 Part 20	

### Approvals

UL 508	 E219022	NMTR
UL 5085-1	 E103521	XPTQ

Variations may apply due to material's and production's tolerances. Objected to modifications without notice.

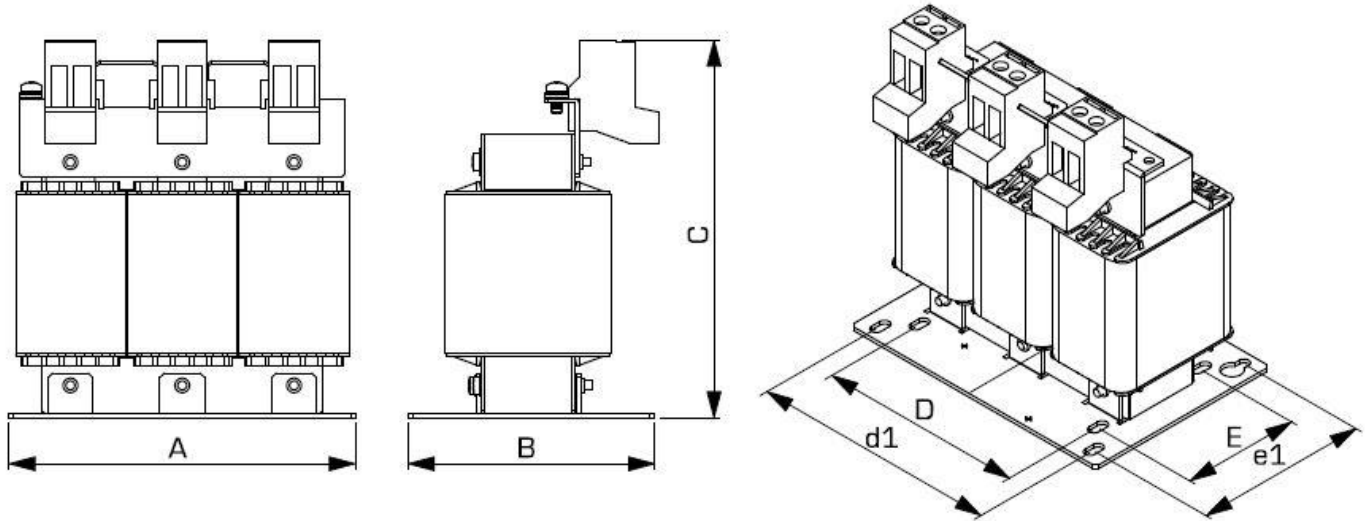
Original Date:	15/04/17	Observe protection clause to ISO 16016	Index	0
Name:	Lüning		Doc. type	
Date:	15/05/06			
Checked:	Wesner		Pages	1 of 2

Product Ident  
LR3 60-3/25

# Line-Reactor Datasheet



## Dimensions / Mounting in Inches



A	B	C*	F	D	d1	d2	E	e1	e2	Drill
6.10	4.33	6.57	-	4.45	5.31	-	2.56	3.74	-	0.23
										0.23
										-

\* = Typical variable air gab

## Weight

Weight	[ kg ]	5.80
	[ lbs ]	12.79

## Notes

Technical specifications in the drawing are not binding. General tolerance to DIN 7168-m. Subject to change.  
Mounting plates also available in stainless steel as OEM application. Ask for details.

Original Date:	15/04/17	Observe protection clause to ISO 16016	Index	0
Name:	Lüning		Doc. type	
Date:	15/05/06			
Checked:	Wesner		Pages	2 of 2